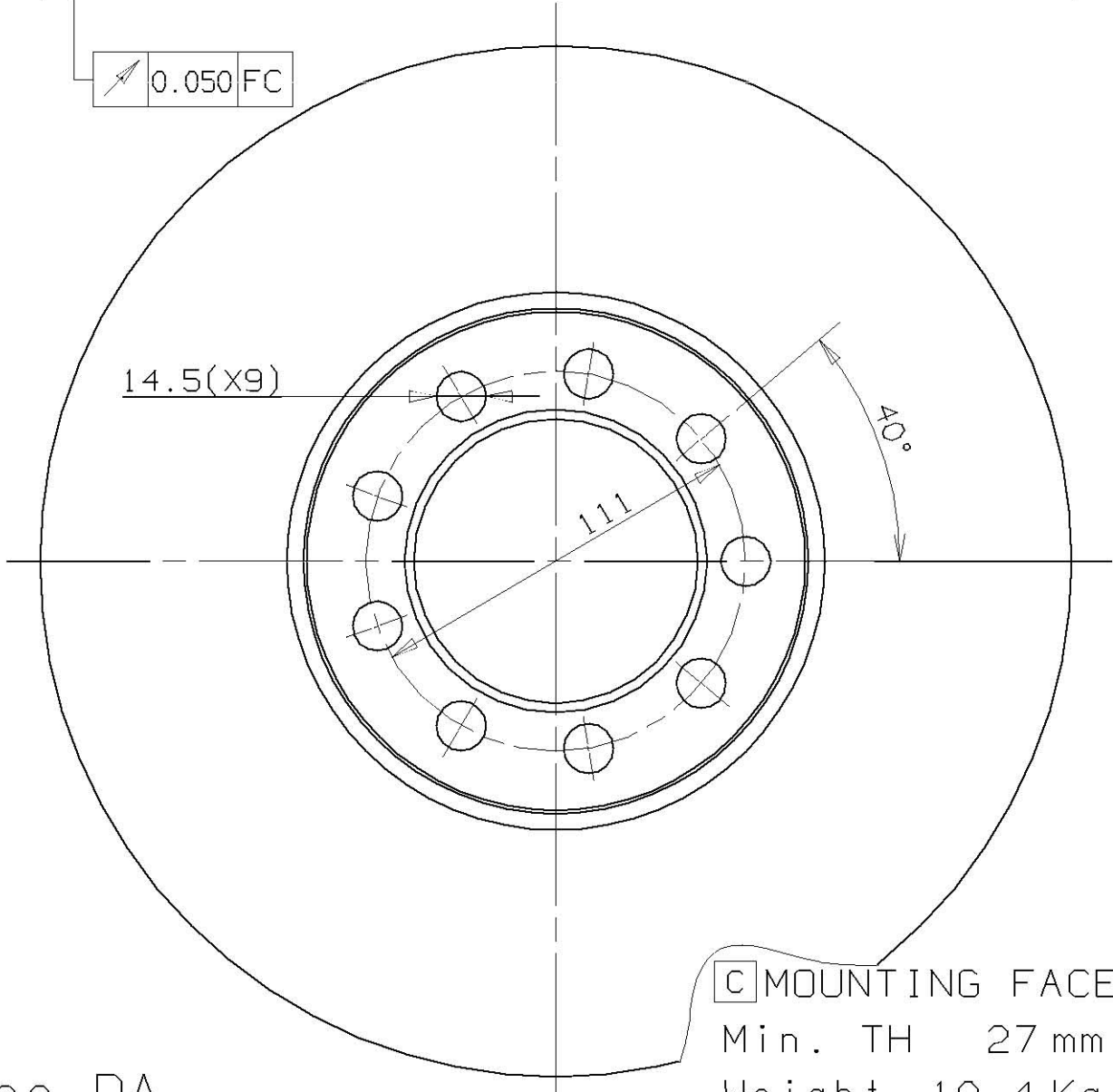


0.050 FC



[C] MOUNTING FACE
 Min. TH 27 mm
 Weight 10.4 Kg

Type DA